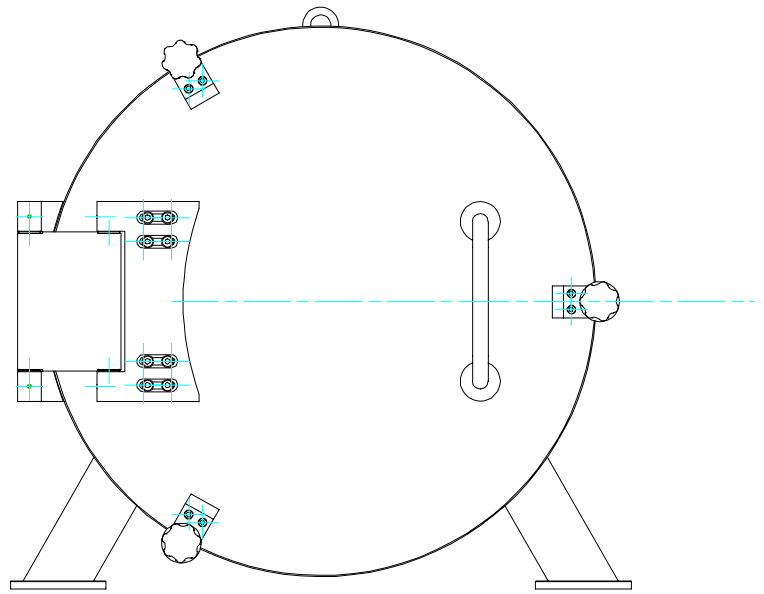
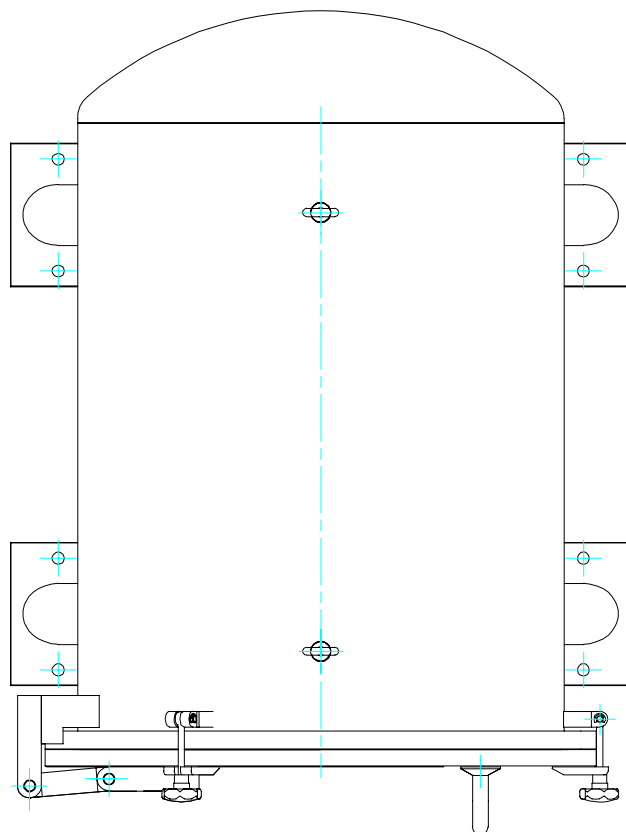


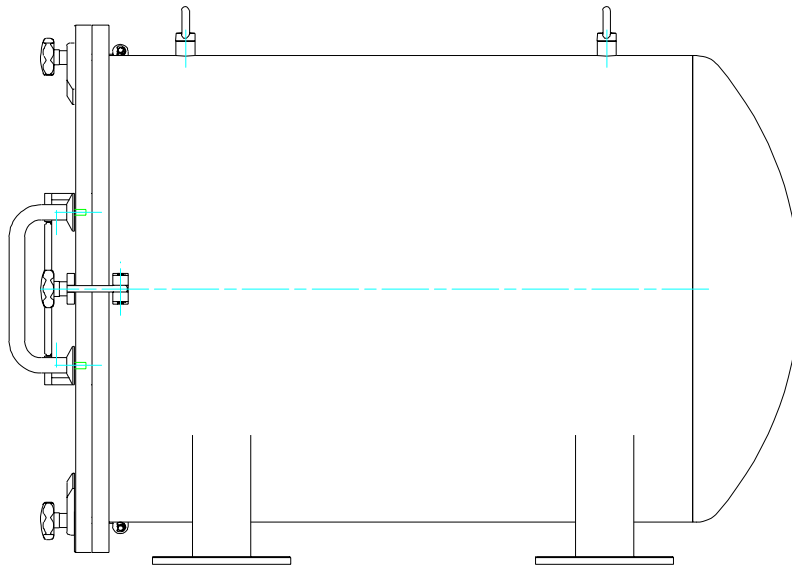
If you need a rough sketch for your Chamber, or would like to indicate port positions, please feel free to use this form.



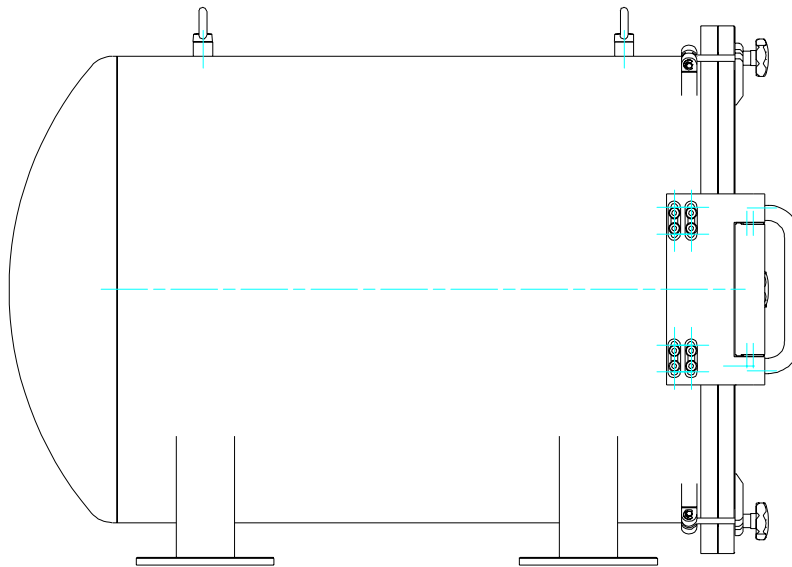
## Top View



# Draft Form for High Vacuum Chambers with Door



**Right Side**



**Left Side**

